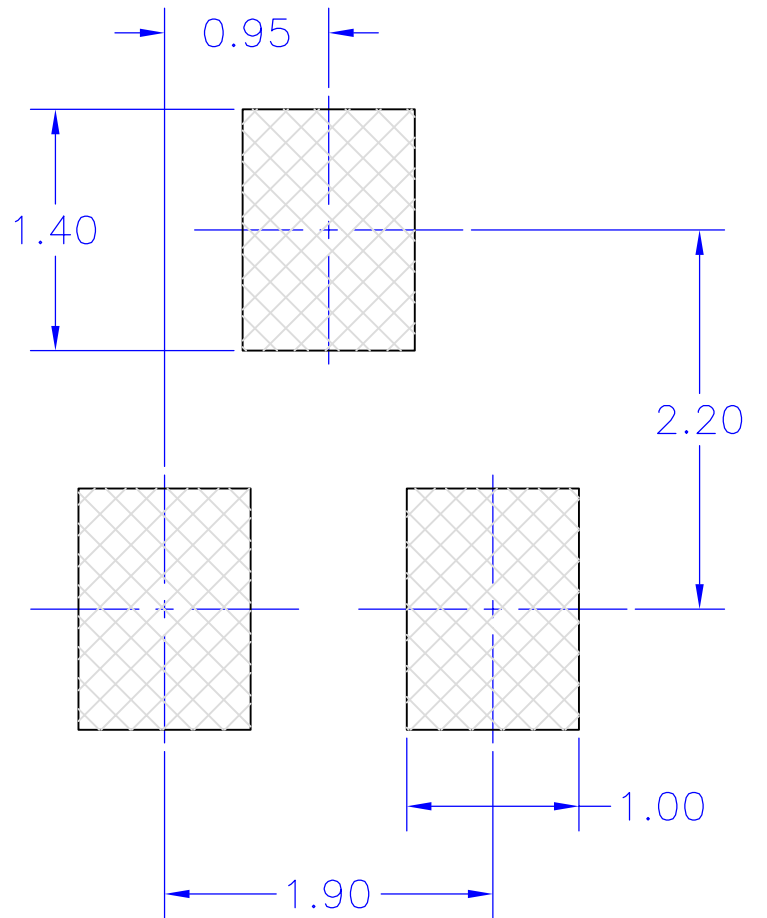
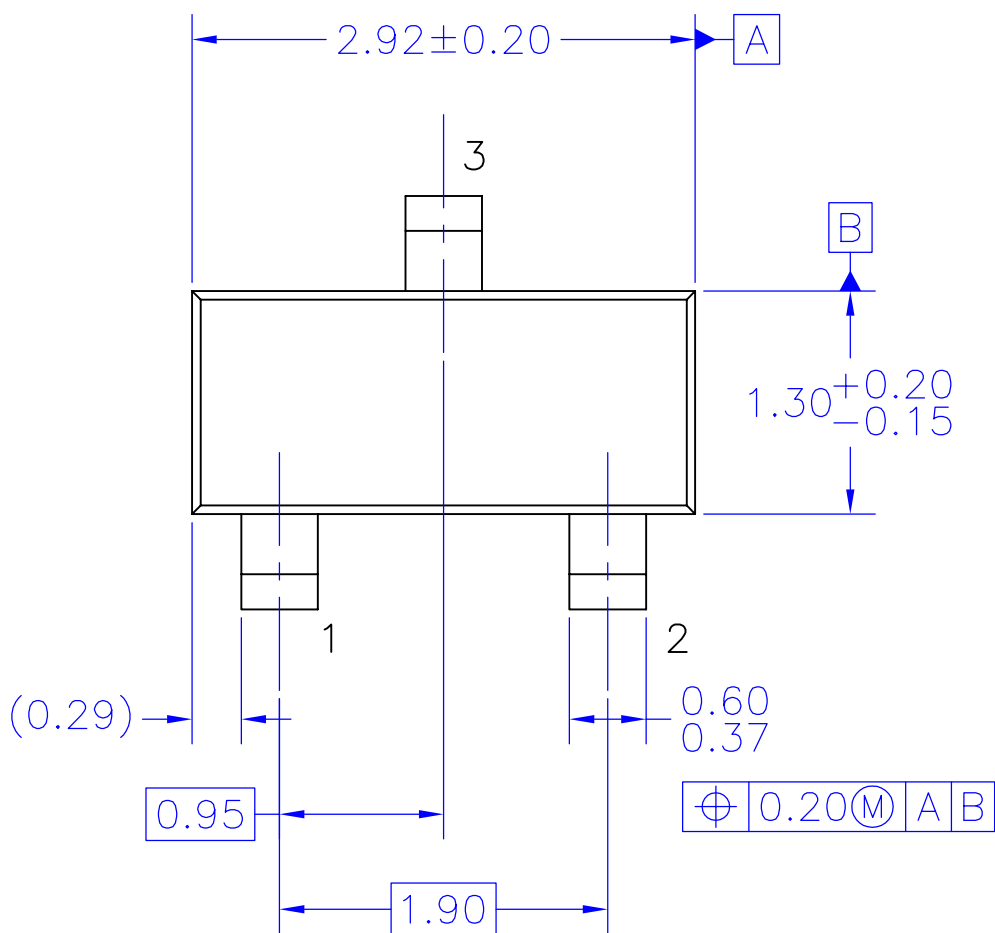


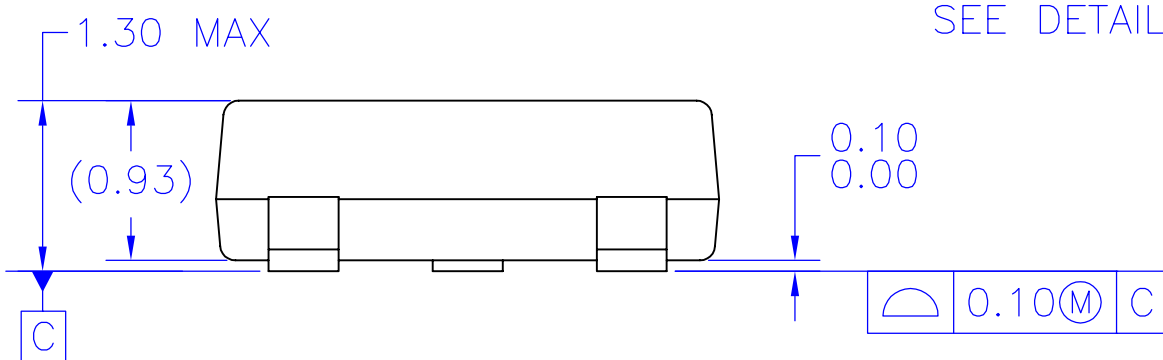
THIS DRAWING IS THE PROPERTY OF FAIRCHILD SEMICONDUCTOR CORPORATION. NO USE THEREOF SHALL BE MADE OTHER THAN AS A REFERENCE FOR PROPOSALS AS SUBMITTED TO FAIRCHILD SEMICONDUCTOR CORPORATION FOR JOBS TO BE EXECUTED IN CONFORMITY WITH SUCH PROPOSALS UNLESS THE CONSENT OF SAID FAIRCHILD SEMICONDUCTOR CORPORATION HAS PREVIOUSLY BEEN OBTAINED. NO PART OF THIS DRAWING SHALL BE COPIED OR DUPLICATED OR ITS CONTENTS DISCLOSED. THE INFORMATION CONTAINED ON THIS DRAWING IS CONFIDENTIAL AND PROPRIETARY.

REVISIONS

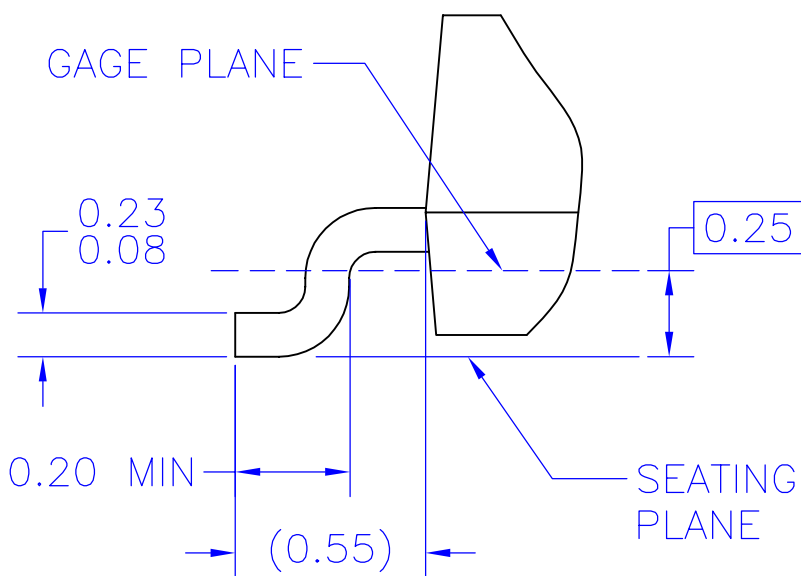
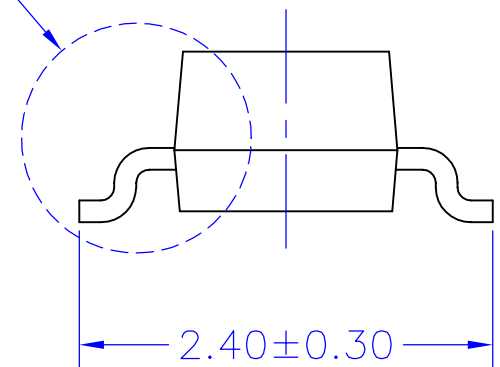
LTR	DESCRIPTION	E.C.N.	DATE	BY/APP'D
F	REVISE & REDRAW PER CURRENT STDA; ADD LAND PATTERN	CB/112/06	NOV.30,1995	TL
G	ADD 0.004 [0.10] COPLANARITY; NOTE 1: 200 WAS 150; 5.08 WAS 3.81.	CB/119/26	FEB.23,1998	MS
H	CHG DWG TEMPL FR NSC TO FSC; CHG DIM STD FR DUAL TO SINGLE; CHG PKG LEN DIM FR 2.92+/-0.13 TO 2.92+/-0.20; CHG PKG WID FR 1.30+/-0.10 TO 1.30+0.20/-0.15; CHG TOT PKG THIC FR 0.88-1.08 TO 1.30 MAX; CHG PROFILE FR 0.013-0.103 TO 0.00-0.10; CHG LD THIC FR 0.13+/-0.05 TO 0.08-0.23; CHG LD WID FR 0.445+/-0.064 TO 0.37-0.60; CHG LD PITCH FR 0.953+/-0.064 TO 0.95 BSC; CHG TOT LD PITCH FR 1.91+/-0.13 TO 1.90 BSC; CHG LAND PATTERN DIM FR 0.762 TYP TO 1.00, FR 0.762 TYP TO 1.40, FR 2.286 TYP TO 2.20; ADDED DIM (0.29); CHG NOTE A FR "STD LD FINISH SPEC" TO "JEDEC REF"; CHG NOTE B FR "JEDEC REF" TO "DIM REF"; ADDED NOTE C&D; ADD LD POS TOL	CB/214/03	12AUG2003	MGR



LAND PATTERN RECOMMENDATION



SEE DETAIL A



DETAIL A
SCALE: 50:1

NOTES: UNLESS OTHERWISE SPECIFIED

- A) REFERENCE JEDEC REGISTRATION TO-236, VARIATION AB, ISSUE H, DATED JAN 1999.
- B) ALL DIMENSIONS ARE IN MILLIMETERS.
- C) DIMENSIONS ARE EXCLUSIVE OF BURRS, MOLD FLASH AND TIE BAR EXTRUSIONS.
- D) DIMENSIONING AND TOLERANCING PER ASME Y14.5M - 1994.

MA03BREVH

APPROVALS	DATE	 CEBU PHILIPPINES
DRAWN: J. GOMEZ	25NOV2003	
CHECKED: R. MANABIT		
APPROVED: M. GESTOLE		
G.S. BAJE		3LD, SOT23, JEDEC TO-236, LOW PROFILE
		SCALE: 25:1 SIZE: A3 DRAWING NUMBER: MKT-M03B FORMERLY: N/A
		REV: H SHEET: 1 OF 1